



## 专注LED照明解决方案 FOCUS ON LED LIGHTING SOLUTIONS

健康 · 护眼 · 智慧 · 安全



### Anhui Chenxin Lighting Electrical Appliance Co.,LTD

Office address:No.1009,International Business Center B# Block,Huguang RD,  
Shushan District,Hefei,China

Factory Address:Huoshan County,Lu'an City,Anhui,China

Tel:+86-551-65856715 Cell:+86-18119606995

Email:cxlight@ahcxlight.com Web:www.ahcxlight.com





# Company show

公司展示



# Company show

公司展示







## T8 2.4米系列

### T8 2.4m Series



#### 产品技术参数

Product Technology Parameters

型号 Model	产品名称 Product name	色温 Color	电压 Voltage	贴片 SMD	光通量 Luminous flux	显色指数 CRI	功率因数 PF	管长 Tube length
T8-G13/36W	奶白/Milk white	6000K/4000K/3000K	AC85-265V	2835	100Lm/W	70Ra	0.6	2400mm
T8-FA18/36W	透明/Transparent	6000K/4000K/3000K	AC85-265V	2835	100Lm/W	70Ra	0.6	2400mm

#### 性能与特点

Performance And Characteristics

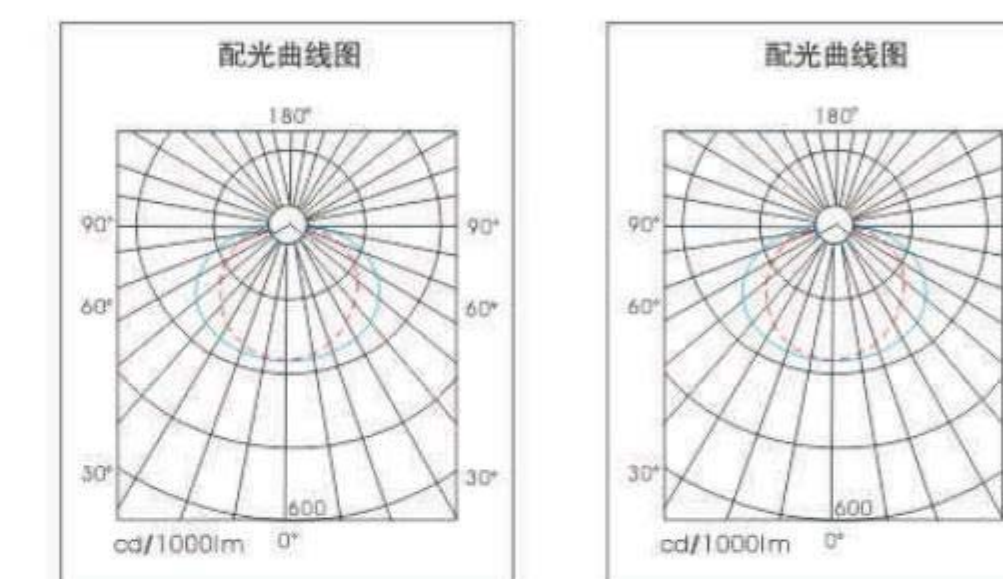
- 1、灯管材质为玻璃，具有优异的透光率，光线输出更均匀、更明亮；
  - 2、性能稳定，内置智能恒流恒压驱动，无噪音、无频闪、光色一致性强；
  - 3、高效节能，实验证明：与市场上同类灯管相比发光效率更高，比普通灯管节能75%以上；
  - 4、采用进口LED发光芯片，发光能耗少，亮度更高，性能稳定。
- 1, lamp material for the glass, with excellent light transmittance, light output more uniform, more bright;  
2, stable performance, built-in intelligent constant current constant voltage drive, no noise, no flicker, light color consistency;  
3, energy efficient, experimental proof: compared with the same lamp on the market luminous efficiency is higher than the average energy saving lamp more than 75%;  
4, the use of imported LED light chip, luminous energy consumption, higher brightness, stable performance.

#### 适用范围

Applicable Scope

家居、写字楼、工厂、商场、会议室、车站、隧道等照明场所。

Home, office buildings, factories, shopping malls, conference rooms, stations, tunnels and other lighting places.



## T8 高光效系列

### T8 High Luminous Efficiency Series

#### 产品技术参数

Product Technology Parameters

型号 Model	产品名称 Product name	色温 Color	电压 Voltage	贴片 SMD	光通量 Luminous flux	显色指数 CRI	功率因数 PF	管长 Tube length
T8-9W	0.6米	6000K/4000K/3000K	85-265V	48珠 2835	180Lm/W	80Ra	0.9EMC	600mm
T8-14W	0.9米	6000K/4000K/3000K	85-265V	72珠 2835	180Lm/W	80Ra	0.9EMC	900mm
T8-18W	1.2米	6000K/4000K/3000K	85-265V	96珠 2835	180Lm/W	80Ra	0.9EMC	1200mm
T8-24W	1.5米	6000K/4000K/3000K	85-265V	120珠 2835	180Lm/W	80Ra	0.9EMC	1500mm

#### 性能与特点

Performance And Characteristics

- 1、灯管材质为玻璃，具有优异的透光率，光线输出更均匀、更明亮；
  - 2、性能稳定，内置智能恒流恒压驱动，无噪音、无频闪、光色一致性强；
  - 3、高效节能，实验证明：与市场上同类灯管相比发光效率更高，比普通灯管节能75%以上；
  - 4、采用进口LED发光芯片，发光能耗少，亮度更高，性能稳定。
- 1, lamp material for the glass, with excellent light transmittance, light output more uniform, more bright;  
2, stable performance, built-in intelligent constant current constant voltage drive, no noise, no flicker, light color consistency;  
3, energy efficient, experimental proof: compared with the same lamp on the market luminous efficiency is higher than the average energy saving lamp more than 75%;  
4, the use of imported LED light chip, luminous energy consumption, higher brightness, stable performance.

#### 适用范围

Applicable Scope

家居、写字楼、工厂、商场、会议室、车站、隧道等照明场所。

Home, office buildings, factories, shopping malls, conference rooms, stations, tunnels and other lighting places.





## T8 超亮王系列

### T8 Super Bright King Series



#### 产品技术参数

Product Technology Parameter

型号 Model	产品名称 Product name	色温 Color	电压 Voltage	贴片 SMD	光通量 Luminous flux	显色指数 CRI	功率因数 PF	管长 Tube length
T8-14W	T8灯管0.6米	6000K/4000K/3000K	170-265V	2835	110Lm/W	80Ra	0.6	600mm
T8-20W	T8灯管0.9米	6000K/4000K/3000K	170-265V	2835	110Lm/W	80Ra	0.6	900mm
T8-30W	T8灯管1.2米	6000K/4000K/3000K	170-265V	2835	110Lm/W	80Ra	0.6	1200mm
T8-40W	T8灯管1.2米	6000K/4000K/3000K	170-265V	2835	110Lm/W	80Ra	0.6	1200mm
T8-55W	T8灯管1.2米	6000K/4000K/3000K	170-265V	2835	110Lm/W	80Ra	0.6	1200mm

#### 性能与特点

Performance And Characteristics

- 1、灯管材质为玻璃，具有优异的透光率，光线输出更均匀、更明亮；
- 2、性能稳定，内置智能恒流恒压驱动，无噪音、无频闪、光色一致性强；
- 3、高效节能，实验证明：与市场上同类灯管相比发光效率更高，比普通灯管节能75%以上；
- 4、采用进口LED发光芯片，发光能耗少，亮度更高，性能稳定。

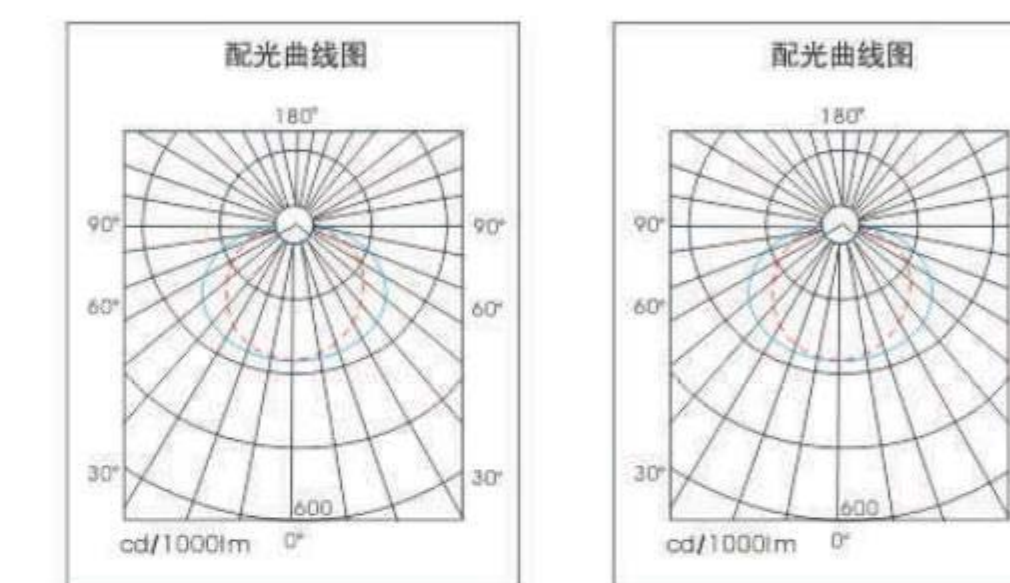
1. lamp material for the glass, with excellent light transmittance, light output more uniform, more bright;
2. stable performance, built-in intelligent constant current constant voltage drive, no noise, no flicker, light color consistency;
3. energy efficient, experimental proof: compared with the same lamp on the market luminous efficiency is higher than the average energy saving lamp more than 75%;
4. the use of imported LED light chip, luminous energy consumption, higher brightness, stable performance.

#### 适用范围

Applicable Scope

家居、写字楼、工厂、商场、会议室、车站、隧道等照明场所。

Home, office buildings, factories, shopping malls, conference rooms, stations, tunnels and other lighting places.



## T8 齐心系列

### T8 Together Series

#### 产品技术参数

Product Technology Parameter

型号 Model	产品名称 Product name	色温 Color	电压 Voltage	贴片 SMD	光通量 Luminous flux	显色指数 CRI	功率因数 PF	管长 Tube length
T8-9W	T8灯管0.6米	6000K/4000K/3000K	170-265V	2835	100Lm/w	70Ra	0.6	600mm
T8-14W	T8灯管0.9米	6000K/4000K/3000K	170-265V	2835	100Lm/w	70Ra	0.6	900mm
T8-18W	T8灯管1.2米	6000K/4000K/3000K	170-265V	2835	100Lm/w	70Ra	0.6	1200mm
T8-24W	T8灯管1.2米	6000K/4000K/3000K	170-265V	2835	100Lm/w	70Ra	0.6	1200mm
T8-24W	T8灯管1.5米	6000K/4000K/3000K	170-265V	2835	100Lm/w	70Ra	0.6	1500mm

#### 性能与特点

Performance And Characteristics

- 1、灯管材质为玻璃，具有优异的透光率，光线输出更均匀、更明亮；
- 2、性能稳定，内置智能恒流恒压驱动，无噪音、无频闪、光色一致性强；
- 3、高效节能，实验证明：与市场上同类灯管相比发光效率更高，比普通灯管节能75%以上；
- 4、采用进口LED发光芯片，发光能耗少，亮度更高，性能稳定。

1. lamp material for the glass, with excellent light transmittance, light output more uniform, more bright;
2. stable performance, built-in intelligent constant current constant voltage drive, no noise, no flicker, light color consistency;
3. energy efficient, experimental proof: compared with the same lamp on the market luminous efficiency is higher than the average energy saving lamp more than 75%;
4. the use of imported LED light chip, luminous energy consumption, higher brightness, stable performance.

#### 适用范围

Applicable Scope

家居、写字楼、工厂、商场、会议室、车站、隧道等照明场所。

Home, office buildings, factories, shopping malls, conference rooms, stations, tunnels and other lighting places.





## T8 经济款系列

T8 Economic Section Series



### 产品技术参数

Product Technology Parameter

型号 Model	产品名称 Product name	色温 Color	电压 Voltage	贴片 SMD	光通量 Luminous flux	显色指数 CRI	功率因数 PF	管长 Tube length
T8-9W	T8灯管0.6米	6000K/4000K/3000K	170-265V	2835	85Lm/W	70Ra	0.6	600mm
T8-14W	T8灯管0.9米	6000K/4000K/3000K	170-265V	2835	85Lm/W	70Ra	0.6	900mm
T8-17W	T8灯管1.2米	6000K/4000K/3000K	170-265V	2835	85Lm/W	70Ra	0.6	1200mm
T8-18W	T8灯管1.2米	6000K/4000K/3000K	170-265V	2835	85Lm/W	70Ra	0.6	1200mm
T8-24W	T8灯管1.5米	6000K/4000K/3000K	170-265V	2835	85Lm/W	70Ra	0.6	1500mm

### 性能与特点

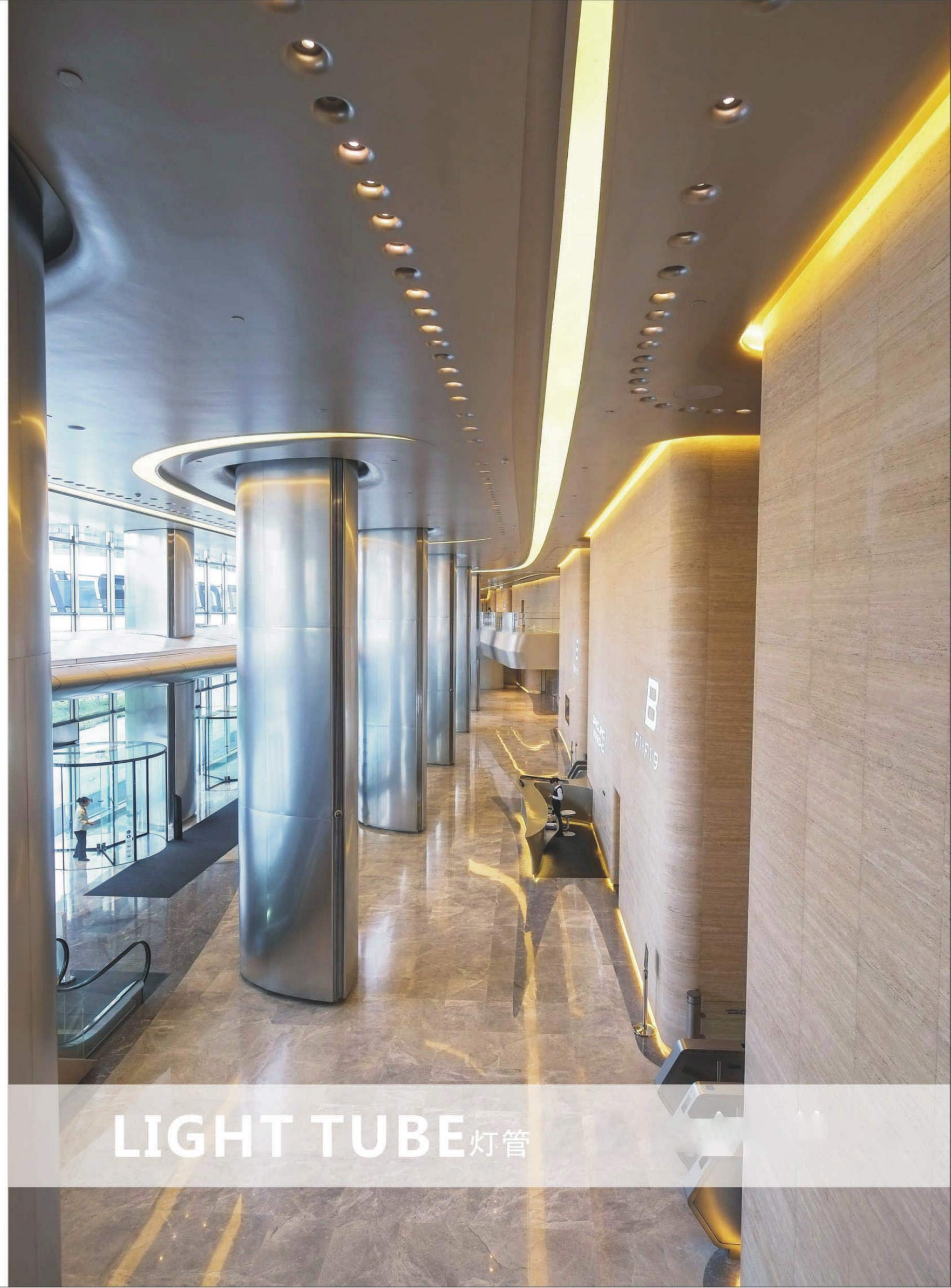
Performance And Characteristics

- 1、灯管材质为玻璃，具有优异的透光率，光线输出更均匀、更明亮；
  - 2、性能稳定，内置智能恒流恒压驱动，无噪音、无频闪、光色一致性强；
  - 3、高效节能，实验证明：与市场上同类灯管相比发光效率更高，比普通灯管节能75%以上；
  - 4、采用进口LED发光芯片，发光能耗少，亮度更高，性能稳定。
- 1, lamp material for the glass, with excellent light transmittance, light output more uniform, more bright;  
2, stable performance, built-in intelligent constant current constant voltage drive, no noise, no flicker, light color consistency;  
3, energy efficient, experimental proof: compared with the same lamp on the market luminous efficiency is higher than the average energy saving lamp more than 75%;  
4, the use of imported LED light chip, luminous energy consumption, higher brightness, stable performance.

### 适用范围

Applicable Scope

家居、写字楼、工厂、商场、会议室、车站、隧道等照明场所。  
Home, office buildings, factories, shopping malls, conference rooms, stations, tunnels and other lighting places.



LIGHT TUBE 灯管





## T6 玻璃灯管系列

### T6 Glass Tube Series



#### 产品技术参数

Product Technology Parameter

型号 Model	产品名称 Product name	色温 Color	电压 Voltage	贴片 SMD	光通量 Luminous flux	显色指数 CRI	功率因数 PF	管长 Tube length
T6-9W	0.6米	6000K/4000K/3000K	165-265V	2835	100Lm/W	70Ra	0.5	549mm
T6-14W	0.9米	6000K/4000K/3000K	165-265V	2835	100Lm/W	70Ra	0.5	849mm
T6-18W	1.2米	6000K/4000K/3000K	165-265V	2835	100Lm/W	70Ra	0.5	1149mm
T6-24W	1.5米	6000K/4000K/3000K	165-265V	2835	100Lm/W	70Ra	0.5	1449mm

#### 性能与特点

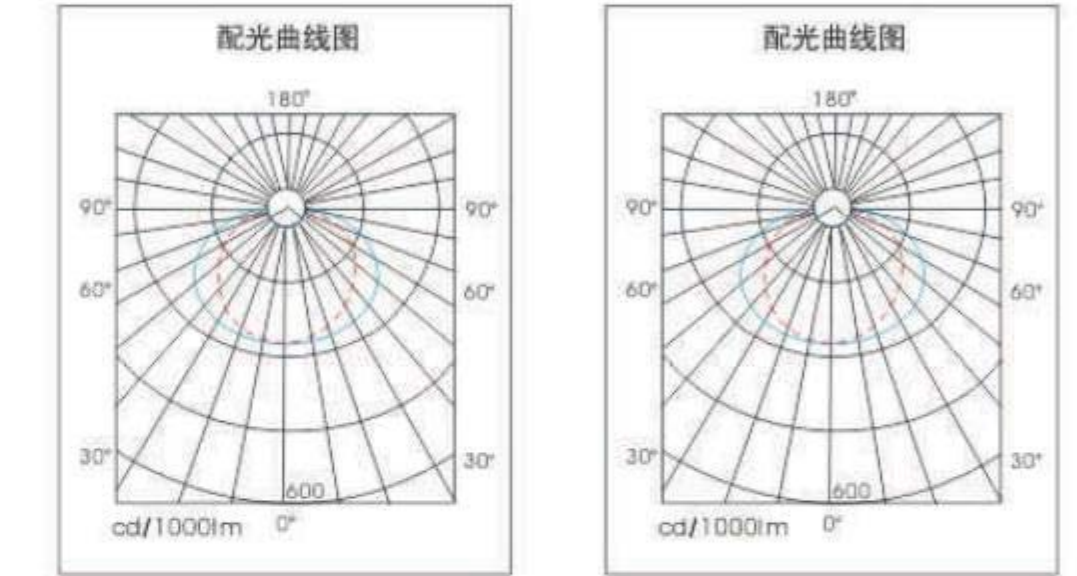
Performance And Characteristics

- 1、灯管材质为铝塑，具有优异的透光率，光线输出更均匀、更明亮；
  - 2、性能稳定，内置智能恒流恒压驱动，无噪音、无频闪、光色一致性强；
  - 3、高效节能，实验证明：与市场上同类灯管相比发光效率更高，比普通灯管节能75%以上；
  - 4、采用进口LED发光芯片，发光能耗少，亮度更高，性能稳定。
- 1, lamp material for the aluminum plastic, with excellent light transmittance, light output more uniform, more bright;  
2, stable performance, built-in intelligent constant current constant voltage drive, no noise, no flicker, light color consistency;  
3, energy efficient, experimental proof: compared with the same lamp on the market luminous efficiency is higher than the average energy saving lamp more than 75%;  
4, the use of imported LED light chip, luminous energy consumption, higher brightness, stable performance.

#### 适用范围

Applicable Scope

家居、写字楼、工厂、商场、会议室、车站、隧道等照明场所。  
Home, office buildings, factories, shopping malls, conference rooms, stations, tunnels and other lighting places.



## T5 玻璃灯管系列

### T5 Glass Tube Series

#### 产品技术参数

Product Technology Parameter

型号 Model	产品名称 Product name	色温 Color	电压 Voltage	贴片 SMD	光通量 Luminous flux	显色指数 CRI	功率因数 PF	管长 Tube length
T5-9W	0.6米	6000K/4000K/3000K	165-265V	2835	100Lm/W	70Ra	0.5	549mm
T5-14W	0.9米	6000K/4000K/3000K	165-265V	2835	100Lm/W	70Ra	0.5	849mm
T5-18W	1.2米	6000K/4000K/3000K	165-265V	2835	100Lm/W	70Ra	0.5	1149mm
T5-24W	1.5米	6000K/4000K/3000K	165-265V	2835	100Lm/W	70Ra	0.5	1449mm

#### 性能与特点

Performance And Characteristics

- 1、灯管材质为铝塑，具有优异的透光率，光线输出更均匀、更明亮；
  - 2、性能稳定，内置智能恒流恒压驱动，无噪音、无频闪、光色一致性强；
  - 3、高效节能，实验证明：与市场上同类灯管相比发光效率更高，比普通灯管节能75%以上；
  - 4、采用进口LED发光芯片，发光能耗少，亮度更高，性能稳定。
- 1, lamp material for the aluminum plastic, with excellent light transmittance, light output more uniform, more bright;  
2, stable performance, built-in intelligent constant current constant voltage drive, no noise, no flicker, light color consistency;  
3, energy efficient, experimental proof: compared with the same lamp on the market luminous efficiency is higher than the average energy saving lamp more than 75%;  
4, the use of imported LED light chip, luminous energy consumption, higher brightness, stable performance.

#### 适用范围

Applicable Scope

家居、写字楼、工厂、商场、会议室、车站、隧道等照明场所。  
Home, office buildings, factories, shopping malls, conference rooms, stations, tunnels and other lighting places.





# LIGHT TUBE 灯管

## T8 雷达系列 T8 Radar Series



备注：常亮18W 微亮3W  
Remark: always bright 18W micro light 3W

### 产品技术参数 Product Technology Parametert

型号 Model	产品名称 Product name	色温 Color	电压 Voltage	贴片 SMD	光通量 Luminous flux	显色指数 CRI	功率因数 PF	管长 Tube length
T8-18W	T8灯管1.2米	6000K/4000K/3000K	170-265V	2835	100Lm/w	70Ra	0.6	1200mm

### 性能与特点 Performance And Characteristics

- 1、灯管材质为玻璃，具有优异的透光率，光线输出更均匀、更明亮；
  - 2、性能稳定，内置智能恒流恒压驱动，无噪音、无频闪、光色一致性强；
  - 3、高效节能，实验证明：与市场上同类灯管相比发光效率更高，比普通灯管节能75%以上；
  - 4、采用进口LED发光芯片，发光能耗少，亮度更高，性能稳定。
- 1, lamp material for the glass, with excellent light transmittance, light output more uniform, more bright;  
2, stable performance, built-in intelligent constant current constant voltage drive, no noise, no flicker, light color consistency;  
3, energy efficient, experimental proof: compared with the same lamp on the market luminous efficiency is higher than the average energy saving lamp more than 75%;  
4, the use of imported LED light chip, luminous energy consumption, higher brightness, stable performance.

### 适用范围 Applicable Scope

家居、写字楼、工厂、商场、会议室、车站、隧道等照明场所。  
Home, office buildings, factories, shopping malls, conference rooms, stations, tunnels and other lighting places.





## T8 防水系列

### T8 Waterproof Series



**专利产品**  
**PATENTED PRODUCT**  
**专利产品 仿冒必究**  
 Patented product counterfeiting  
 专利号/Patent No: 201620810497.8

#### 产品技术参数

Product Technology Parameters

型号 Model	产品名称 Product name	色温 Color	电压 Voltage	贴片 SMD	光通量 Luminous flux	显色指数 CRI	功率因数 PF	防护等级 Protection class	管长 Tube length
T8-9W	T8防水灯管0.6米	6000K/4000K/3000K	85-265V	2835	100Lm/W	75Ra	0.9	IP66	600mm
T8-14W	T8防水灯管0.9米	6000K/4000K/3000K	85-265V	2835	100Lm/W	75Ra	0.9	IP66	900mm
T8-18W	T8防水灯管1.1米	6000K/4000K/3000K	85-265V	2835	100Lm/W	75Ra	0.9	IP66	1100mm
T8-18W	T8防水灯管1.2米	6000K/4000K/3000K	85-265V	2835	100Lm/W	75Ra	0.9	IP66	1200mm
T8-24W	T8防水灯管1.5米	6000K/4000K/3000K	85-240V	2835	100Lm/W	75Ra	0.9	IP66	1500mm

#### 性能与特点

Performance And Characteristics

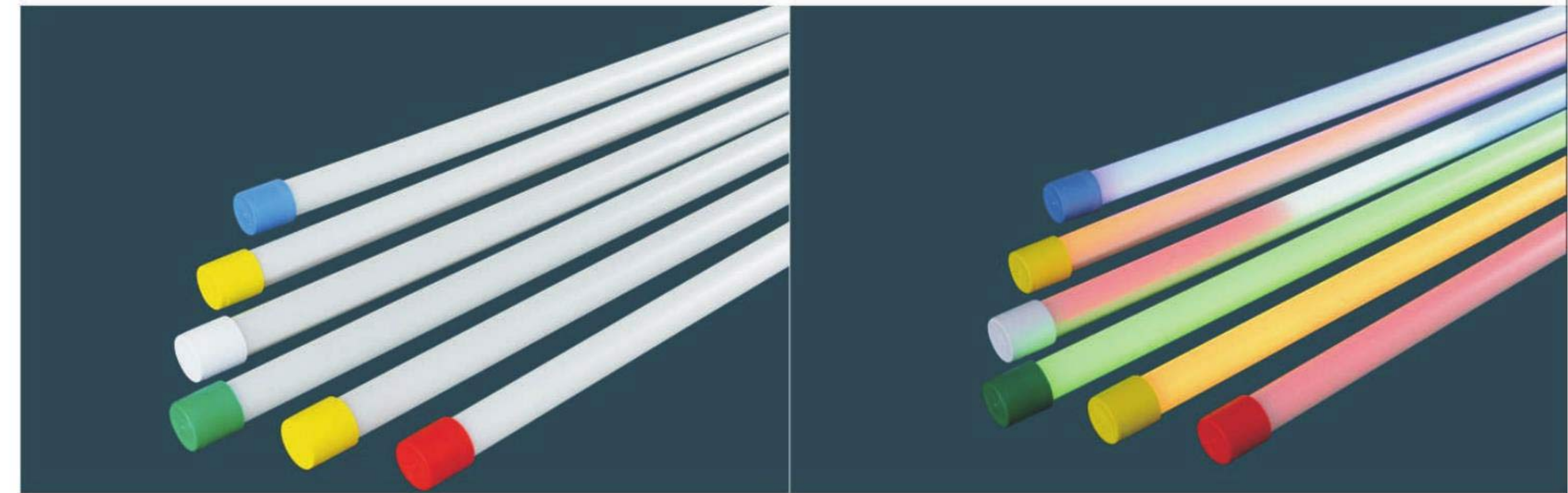
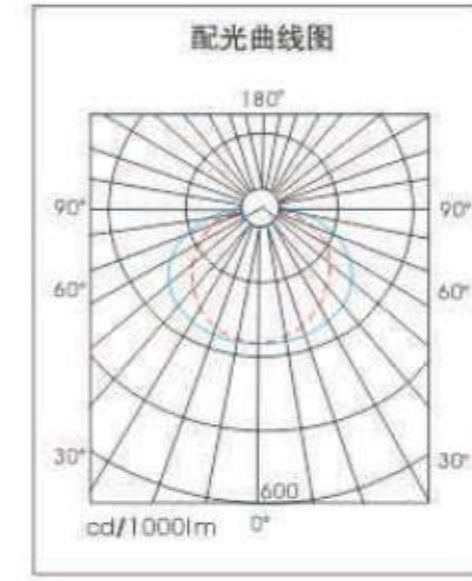
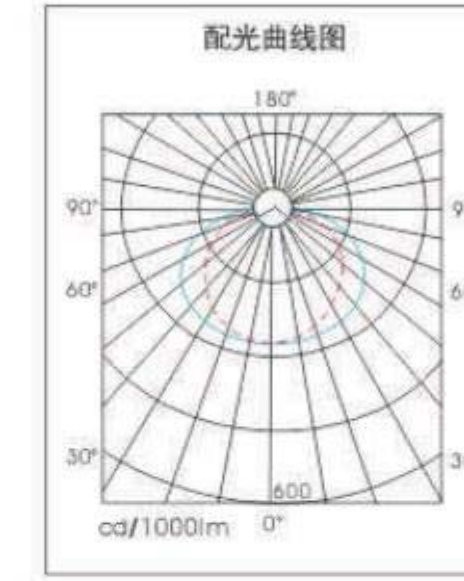
- 灯体采用铝材制造，阳极氧化工艺处理，机械强度高，不易变形，易散热，小巧精致，安装方便；
- 性能稳定，内置智能恒流恒压驱动，无噪音、无频闪、光色一致性强；
- 高效节能，实验证明：与市场上同类灯管相比发光效率更高，比普通灯管节能75%以上；
- 采用进口LED发光芯片，发光能耗少，亮度更高，性能稳定。

- the lamp body made of aluminum, anodizing process, high mechanical strength, not easy to deformation, easy to heat, small and exquisite, easy to install;
- stable performance, built-in intelligent constant current constant voltage drive, no noise, no flicker, light color consistency;
- energy efficient, experimental proof: compared with the same lamp on the market luminous efficiency is higher than the average energy saving lamp more than 75%;
- the use of imported LED light chip, luminous energy consumption, higher brightness, stable performance.

#### 适用范围

Applicable Scope

家居、写字楼、工厂、商场、会议室、车站、隧道等照明场所。  
 Home, office buildings, factories, shopping malls, conference rooms, stations, tunnels and other lighting places.



## T8 防水彩光系列

### T8 Waterproof Light Series

#### 产品技术参数

Product Technology Parameters

型号 Model	产品名称 Product name	色温 Color	电压 Voltage	贴片 SMD	光通量 Luminous flux	显色指数 CRI	功率因数 PF	管长 Tube length
T8-9W	T8灯管0.6米	6000K/4000K/3000K	170-265V	2835	80Lm/W	70Ra	0.6	600mm
T8-14W	T8灯管0.9米	6000K/4000K/3000K	170-265V	2835	80Lm/W	70Ra	0.6	900mm
T8-18W	T8灯管1.2米	6000K/4000K/3000K	170-265V	2835	80Lm/W	70Ra	0.6	1200mm
T8-24W	T8灯管1.5米	6000K/4000K/3000K	170-265V	2835	80Lm/W	70Ra	0.6	1500mm

#### 性能与特点

Performance And Characteristics

- 灯管材质为玻璃，具有优异的透光率，光线输出更均匀、更明亮；
- 性能稳定，内置智能恒流恒压驱动，无噪音、无频闪、光色一致性强；
- 高效节能，实验证明：与市场上同类灯管相比发光效率更高，比普通灯管节能75%以上；
- 采用进口LED发光芯片，发光能耗少，亮度更高，性能稳定。

- lamp material for the glass, with excellent light transmittance, light output more uniform, more bright;
- stable performance, built-in intelligent constant current constant voltage drive, no noise, no flicker, light color consistency;
- energy efficient, experimental proof: compared with the same lamp on the market luminous efficiency is higher than the average energy saving lamp more than 75%;
- the use of imported LED light chip, luminous energy consumption, higher brightness, stable performance.

#### 适用范围

Applicable Scope

家居、写字楼、工厂、商场、会议室、车站、隧道等照明场所。  
 Home, office buildings, factories, shopping malls, conference rooms, stations, tunnels and other lighting places.





## T8 一体化系列

### T8 Integrated series



#### 产品技术参数

Product Technology Parametert

型号 Model	产品名称 Product name	色温 Color	电压 Voltage	贴片 SMD	光通量 Luminous flux	显色指数 CRI	功率因数 PF	管长 Tube length
T8-9W	T8一体化0.6米	6000K/4000K/3000K	170-265V	2835	90Lm/w	70Ra	0.6	600mm
T8-14W	T8一体化0.9米	6000K/4000K/3000K	170-265V	2835	90Lm/w	70Ra	0.6	900mm
T8-18W	T8一体化1.2米	6000K/4000K/3000K	170-265V	2835	90Lm/w	70Ra	0.6	1200mm

#### 性能与特点

Performance And Characteristics

- 1、灯体采用铝材制造，阳极氧化工艺处理，机械强度高，不易变形，易散热，小巧精致，安装方便；
- 2、性能稳定，内置智能恒流恒压驱动，无噪音、无频闪、光色一致性强；
- 3、高效节能，实验证明：与市场上同类灯管相比发光效率更高，比普通灯管节能75%以上；
- 4、采用进口LED发光芯片，发光能耗少，亮度更高，性能稳定。

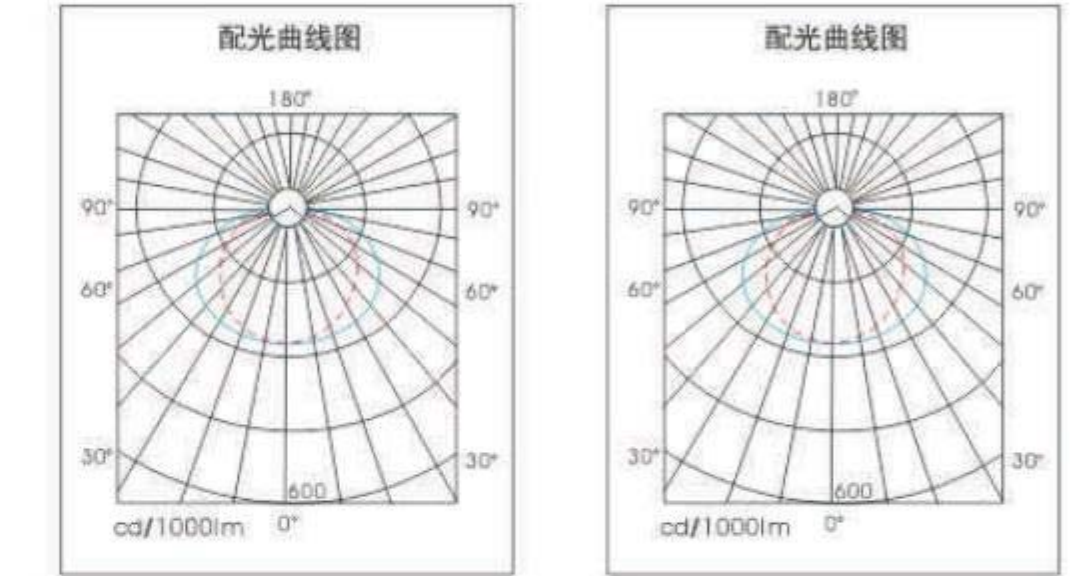
- 1, the lamp body made of aluminum, anodizing process, high mechanical strength, not easy to deformation, easy to heat, small and exquisite, easy to install;
- 2, stable performance, built-in intelligent constant current constant voltage drive, no noise, no flicker, light color consistency;
- 3, energy efficient, experimental proof: compared with the same lamp on the market luminous efficiency is higher than the average energy saving lamp more than 75%;
- 4, the use of imported LED light chip, luminous energy consumption, higher brightness, stable performance.

#### 适用范围

Applicable Scope

家居、写字楼、工厂、商场、会议室、车站、隧道等照明场所。

Home, office buildings, factories, shopping malls, conference rooms, stations, tunnels and other lighting places.



## T8 分体系列

### T8 Split Series

#### 产品技术参数

Product Technology Parametert

型号 Model	产品名称 Product name	色温 Color	电压 Voltage	贴片 SMD	光通量 Luminous flux	显色指数 CRI	功率因数 PF	管长 Tube length
T8-9W	T8分体0.6米	6000K/4000K/3000K	85-265V	2835	100Lm/W	80Ra	0.5	600mm
T8-14W	T8分体0.9米	6000K/4000K/3000K	85-265V	2835	100Lm/W	80Ra	0.5	900mm
T8-18W	T8分体1.2米	6000K/4000K/3000K	85-265V	2835	100Lm/W	80Ra	0.5	1200mm
T8-24W	T8分体1.5米	6000K/4000K/3000K	85-265V	2835	100Lm/W	80Ra	0.5	1500mm

#### 性能与特点

Performance And Characteristics

- 1、灯管材质为铝塑，具有优异的透光率，光线输出更均匀、更明亮；
- 2、性能稳定，内置智能恒流恒压驱动，无噪音、无频闪、光色一致性强；
- 3、高效节能，实验证明：与市场上同类灯管相比发光效率更高，比普通灯管节能75%以上；
- 4、采用进口LED发光芯片，发光能耗少，亮度更高，性能稳定。

- 1, Lamp material is aluminum plastic, with excellent light transmittance, light output more uniform, more bright;
- 2, stable performance, built-in intelligent constant current constant voltage drive, no noise, no flicker, light color consistency;
- 3, energy efficient, experimental proof: compared with the same lamp on the market luminous efficiency is higher than the average energy saving lamp more than 75%;
- 4, the use of imported LED light chip, luminous energy consumption, higher brightness, stable performance.

#### 适用范围

Applicable Scope

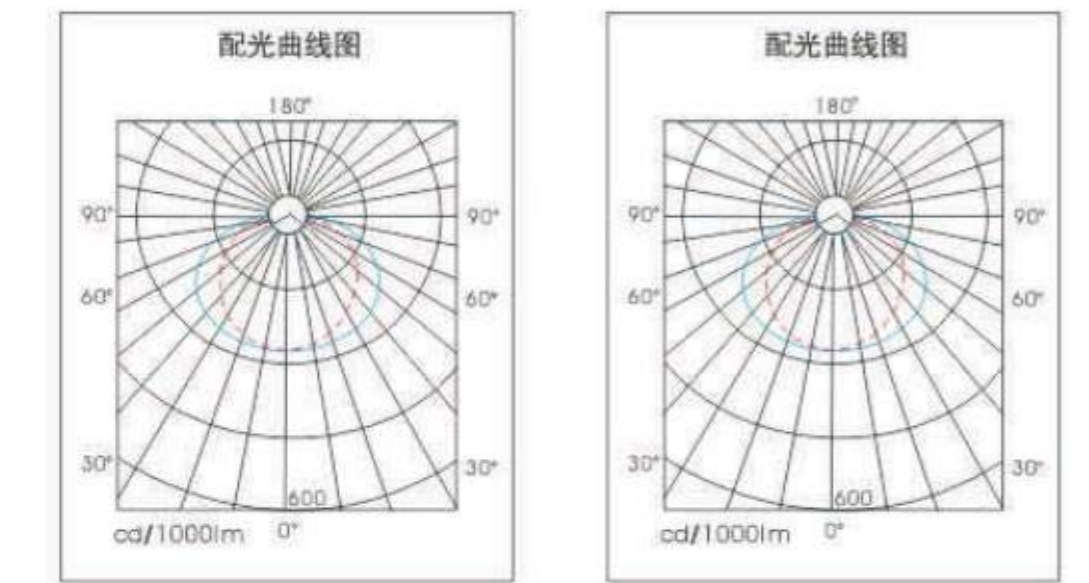
家居、写字楼、工厂、商场、会议室、车站、隧道等照明场所。

Home, office buildings, factories, shopping malls, conference rooms, stations, tunnels and other lighting places.





# LIGHT TUBE 灯管



## T5 一体化系列 T5 Integrated series

### 产品技术参数

Product Technology Parameters

型号 Model	产品名称 Product name	色温 Color	电压 Voltage	贴片 SMD	光通量 Luminous flux	显色指数 CRI	功率因数 PF	管长 Tube length
T5-5W	T5一体化0.3米	6000K/4000K/3000K	170~265V	2835	90Lm/W	70Ra	0.6	300mm
T5-9W	T5一体化0.6米	6000K/4000K/3000K	170~265V	2835	90Lm/W	70Ra	0.6	600mm
T5-13W	T5一体化0.9米	6000K/4000K/3000K	170~265V	2835	90Lm/W	70Ra	0.6	900mm
T5-15W	T5一体化1.0米	6000K/4000K/3000K	170~265V	2835	90Lm/W	70Ra	0.6	1000mm
T5-18W	T5一体化1.2米	6000K/4000K/3000K	170~265V	2835	90Lm/W	70Ra	0.6	1200mm

### 性能与特点

Performance And Characteristics

- 1、灯体采用铝材制造，阳极氧化工艺处理，机械强度高，不易变形，易散热，小巧精致，安装方便；
- 2、性能稳定，内置智能恒流恒压驱动，无噪音、无频闪、光色一致性强；
- 3、高效节能，实验证明：与市场上同类灯管相比发光效率更高，比普通灯管节能75%以上；
- 4、采用进口LED发光芯片，发光能耗少，亮度更高，性能稳定。

- 1, the lamp body made of aluminum, anodizing process, high mechanical strength, not easy to deformation, easy to heat, small and exquisite, easy to install;
- 2, stable performance, built-in intelligent constant current constant voltage drive, no noise, no flicker, light color consistency;
- 3, energy efficient, experimental proof: compared with the same lamp on the market luminous efficiency is higher than the average energy saving lamp more than 75%;
- 4, the use of imported LED light chip, luminous energy consumption, higher brightness, stable performance.

### 适用范围

Applicable Scope

家居、写字楼、工厂、商场、会议室、车站、隧道等照明场所。

Home, office buildings, factories, shopping malls, conference rooms, stations, tunnels and other lighting places.





BRACKET 支架

## T8 支架系列

T8 Bracket Series



### 适用范围

Applicable Scope

家居、写字楼、工厂、商场、会议室、车站、隧道等照明场所。

Home, office buildings, factories, shopping malls, conference rooms, stations, tunnels and other lighting places.





## 净化灯系列 Purification lamp series



### 产品技术参数

Product Technology Parameter

型号 Model	产品名称 Product name	色温 Color	电压 Voltage	贴片 SMD	光通量 Luminous flux	显色指数 CRI	功率因数 PF	管长 Tube length
PL-50W	50W	6000K/4000K/3000K	165-265V	2835	80Lm/w	70Ra	0.6	1200mm
PL-100W	100W	6000K/4000K/3000K	165-265V	2835	80Lm/w	70Ra	0.6	1200mm

### 性能与特点

Performance And Characteristics

- 1、灯管材质为铝塑，具有优异的透光率，光线输出更均匀、更明亮；
- 2、性能稳定，内置智能恒流恒压驱动，无噪音、无频闪、光色一致性强；
- 3、高效节能，实验证明：与市场上同类灯管相比发光效率更高，比普通灯管节能75%以上；
- 4、采用进口LED发光芯片，发光能耗少，亮度更高，性能稳定。

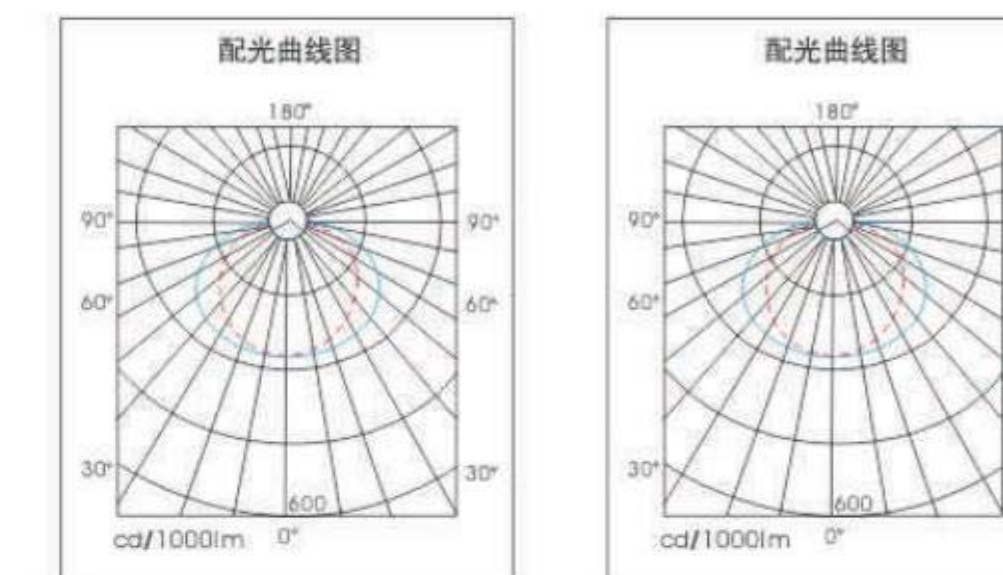
- 1, lamp material for the aluminum plastic, with excellent light transmittance, light output more uniform, more bright;
- 2, stable performance, built-in intelligent constant current constant voltage drive, no noise, no flicker, light color consistency;
- 3, energy efficient, experimental proof: compared with the same lamp on the market luminous efficiency is higher than the average energy saving lamp more than 75%;
- 4, the use of imported LED light chip, luminous energy consumption, higher brightness, stable performance.

### 适用范围

Applicable Scope

家居、写字楼、工厂、商场、会议室、车站、隧道等照明场所。

Home, office buildings, factories, shopping malls, conference rooms, stations, tunnels and other lighting places.



## 净化灯系列 Purification lamp series



### 产品技术参数

Product Technology Parameter

型号 Model	产品名称 Product name	色温 Color	电压 Voltage	贴片 SMD	光通量 Luminous flux	显色指数 CRI	功率因数 PF	管长 Tube length
PL-36W	36W	6000K/4000K/3000K	165-265V	2835	80Lm/w	70Ra	0.6	1200mm

### 性能与特点

Performance And Characteristics

- 1、灯体采用铝材制造，阳极氧化工艺处理，机械强度高，不易变形，易散热，小巧精致，安装方便；
- 2、性能稳定，内置智能恒流恒压驱动，无噪音、无频闪、光色一致性强；
- 3、高效节能，实验证明：与市场上同类灯管相比发光效率更高，比普通灯管节能75%以上；
- 4、采用进口LED发光芯片，发光能耗少，亮度更高，性能稳定。

- 1, the lamp body made of aluminum, anodizing process, high mechanical strength, not easy to deformation, easy to heat, small and exquisite, easy to install;
- 2, stable performance, built-in intelligent constant current constant voltage drive, no noise, no flicker, light color consistency;
- 3, energy efficient, experimental proof: compared with the same lamp on the market luminous efficiency is higher than the average energy saving lamp more than 75%;
- 4, the use of imported LED light chip, luminous energy consumption, higher brightness, stable performance.

### 适用范围

Applicable Scope

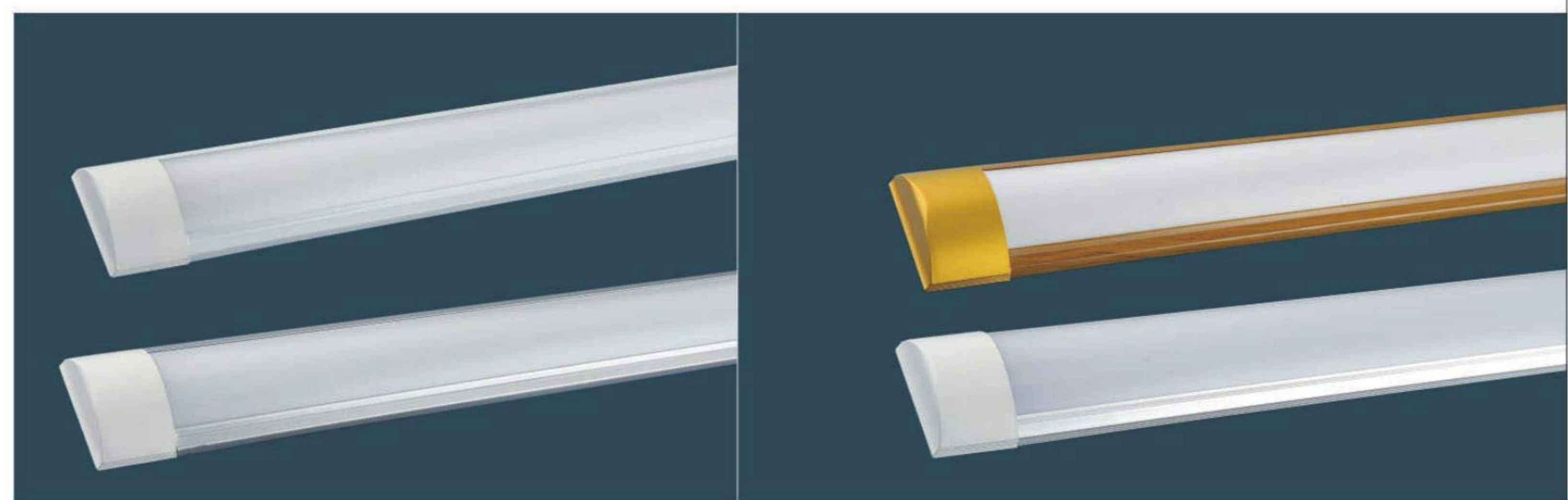
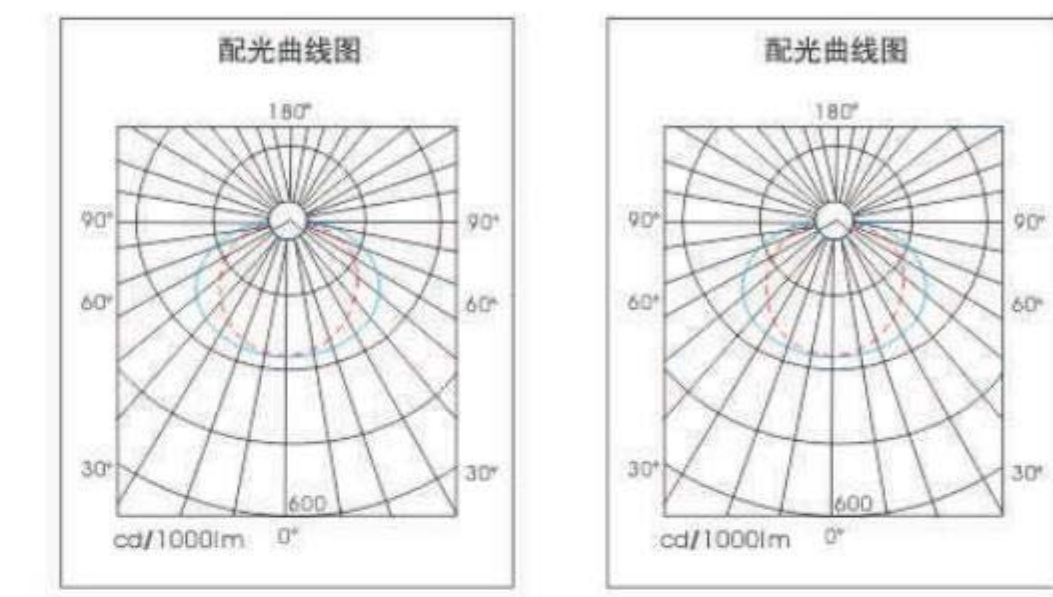
家居、写字楼、工厂、商场、会议室、车站、隧道等照明场所。

Home, office buildings, factories, shopping malls, conference rooms, stations, tunnels and other lighting places.





PURIFICATION LAMP 净化灯



## 净化灯系列 Purification lamp series

### 产品技术参数 Product Technology Parametert

型号 Model	产品名称 Product name	色温 Color	电压 Voltage	贴片 SMD	光通量 Luminous flux	显色指数 CRI	功率因数 PF	管长 Tube length
18W	0.6米	6000K/4000K/3000K	165-265V	2835	80Lm/w	70Ra	0.6	600mm
36W	1.2米	6000K/4000K/3000K	165-265V	2835	80Lm/w	70Ra	0.6	1200mm

### 性能与特点 Performance And Characteristics

- 1、灯体采用铝材制造，阳极氧化工艺处理，机械强度高，不易变形，易散热，小巧精致，安装方便；
  - 2、性能稳定，内置智能恒流恒压驱动，无噪音、无频闪、光色一致性强；
  - 3、高效节能，实验证明：与市场上同类灯管相比发光效率更高，比普通灯管节能75%以上；
  - 4、采用进口LED发光芯片，发光能耗少，亮度更高，性能稳定。
1. the lamp body made of aluminum, anodizing process, high mechanical strength, not easy to deformation, easy to heat, small and exquisite, easy to install;
2. stable performance, built-in intelligent constant current constant voltage drive, no noise, no flicker, light color consistency;
3. energy efficient, experimental proof: compared with the same lamp on the market luminous efficiency is higher than the average energy saving lamp more than 75%;
4. the use of imported LED light chip, luminous energy consumption, higher brightness, stable performance.

### 适用范围 Applicable Scope

家居、写字楼、工厂、商场、会议室、车站、隧道等照明场所。  
Home, office buildings, factories, shopping malls, conference rooms, stations, tunnels and other lighting places.